

Suspension Pillar Seat Post

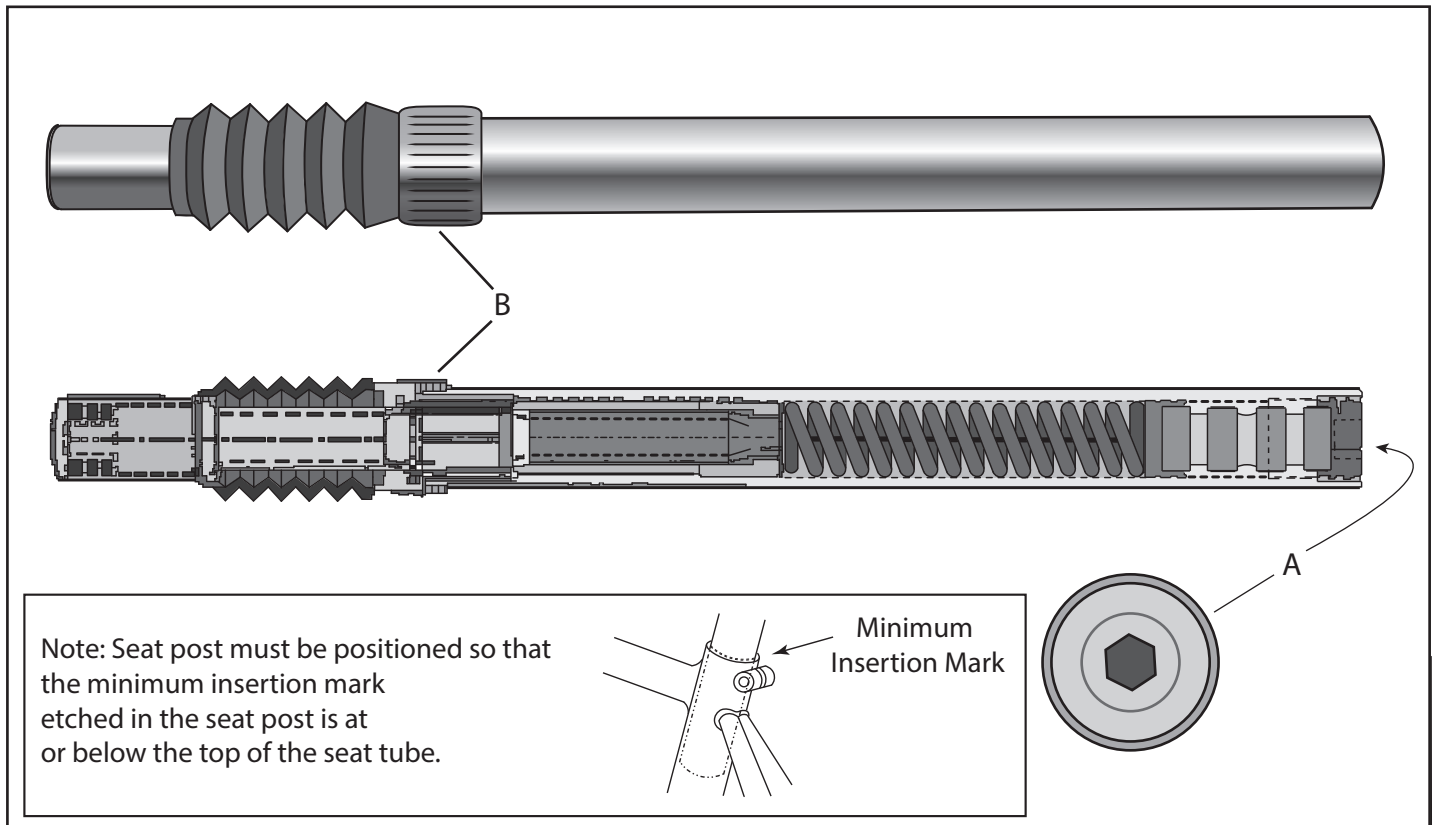
Instruction Manual

SP002

Please read all instructions before installing your new suspension seat post.

Warning

Failure to install seat posts properly may result in damage to your bicycle, serious injury, and/or death.



Installation

1. Loosen seat post clamp and remove old seat post if present.
2. Insert suspension seat post into seat tube, observing the minimum insertion markings.
3. Once desired height is achieved, tighten seat post clamp to manufacturer's specifications.

Use

1. Adjustments to preload can be made by using a 6mm allen wrench to adjust the nut (A) found on the bottom of the seat post.
2. If side to side play is present, tighten the threaded (B) collar until play no longer exists.

SUNLITE