

# Rackpack Lock Box

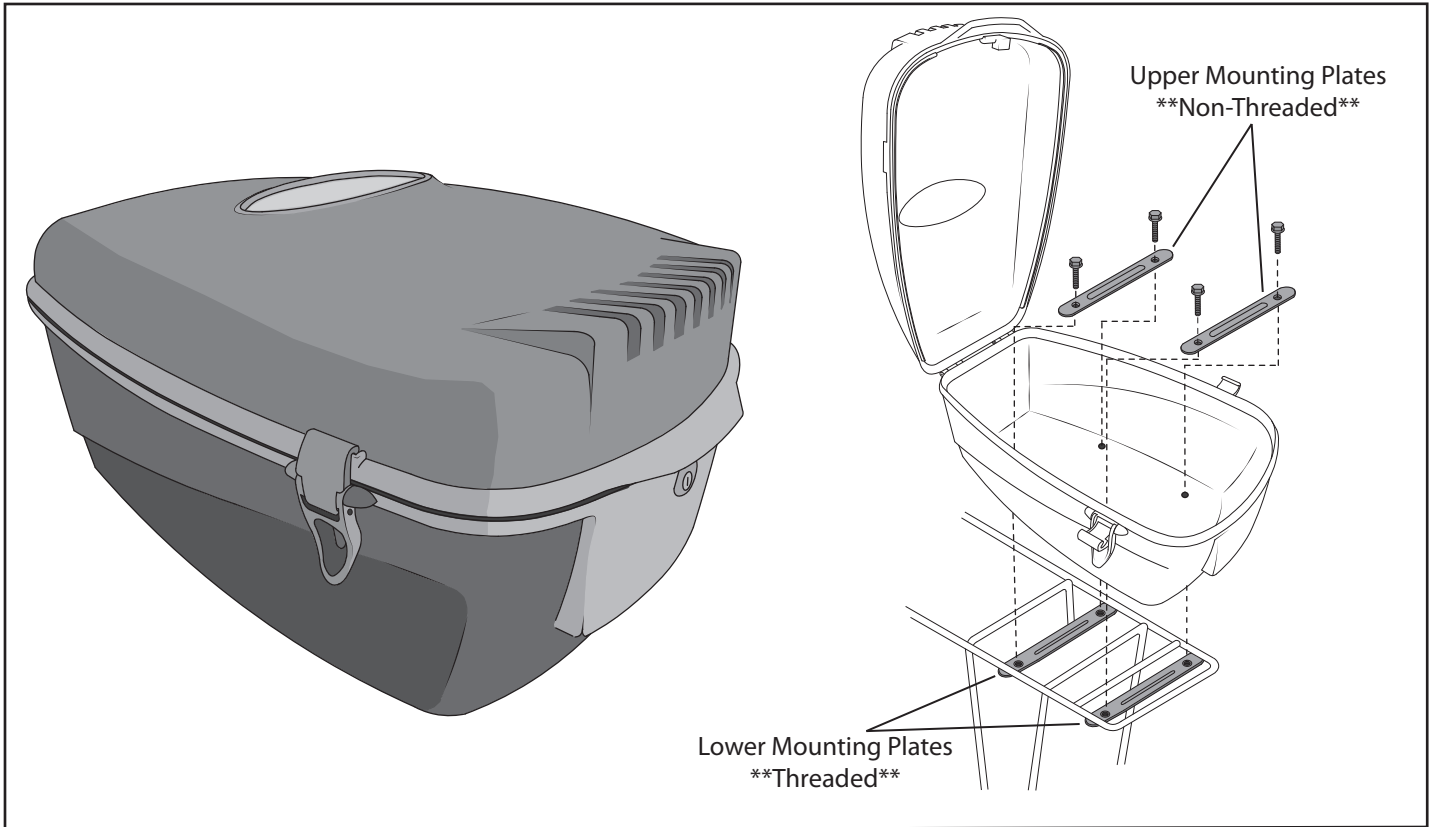
## Instruction Manual

RP001

*Please read all instructions before installing your new lock box.*

### Warning

Failure to install cargo accessories properly may result in damage to your bicycle, serious injury, and/or death.



## Installation

1. Set the lock box on top of the rack. \*Rack not included\*
2. Place the upper mounting plates so that they align with the mounting holes on the bottom of the Rackpack and insert a bolt in each hole to hold them in place.
3. Place lower mounting plates as shown above and hand tighten bolts.
4. Align the lower mounting plates so that they are centered beneath the rack.
5. Tighten bolts until box is secure and stop. Do not over tighten or damage may occur.

**SUNLITE**