

Flip-Top Rear Rack

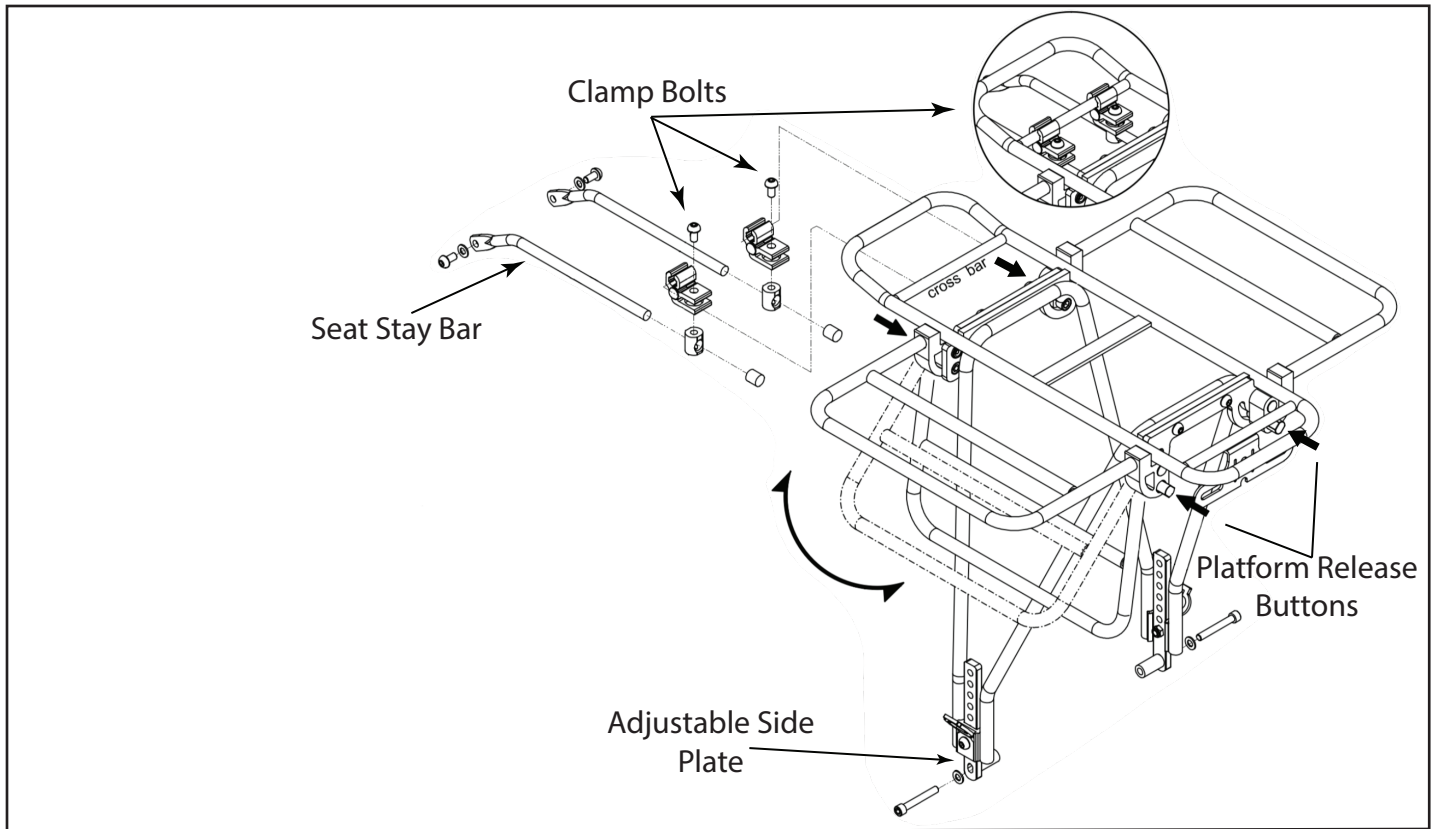
Instruction Manual

RA009

Please read all instructions before installing your new foldable rear rack.

Warning

Failure to install cargo racks properly may result in damage to your bicycle, serious injury, and/or death.



Installing The Rack

1. Loosen Clamp Bolts slightly so the Seat Stay Bars are able to move.
2. Mount Seat Stay Bars to the seat stays or rack mount on the bicycle.
3. Mount the Adjustable Side Plates to the eyelets on the frames dropouts making sure to leave ample clearance for the tire by extending the plates as needed.
4. Level the rack so that it sits parallel with the ground and tighten the Clamp Bolts once level.
5. Ensure that all bolts are properly tightened before riding.

Extending/Folding The Platform

1. To raise or lower the platform sides, simply push the Platform Release Buttons on the front and rear ends of the rack (shown with short bold arrows), Then lift or lower the side.
2. Repeat for other side and, if raised, check that the sides are locked in place after raising.

SUNLITE