

# Multi-Fit Rack

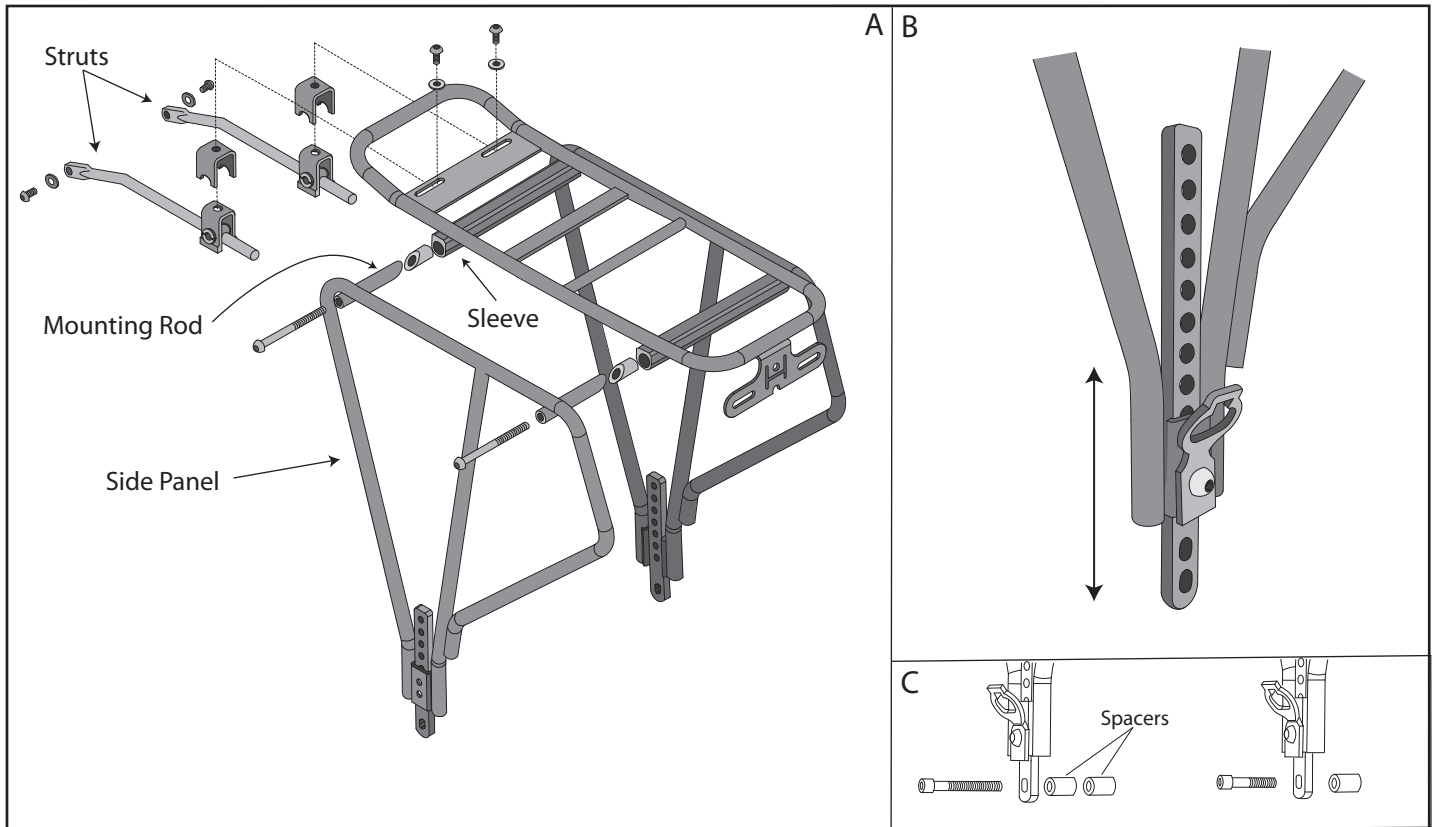
## Instruction Manual

RA005

*Please read all instructions before installing your new cargo rack.*

### Warning

Failure to install cargo racks properly may result in damage to your bicycle, serious injury, and/or death.



## Installation

1. Assemble main frame by installing side panels as shown in figure A. Do not fully tighten the attachment bolts.
2. Install seat stay struts to rack body as shown using supplied hardware.
3. Struts can be adjusted laterally as well as vertically by loosening bolts at attachment point.
4. Adjust the two side panels by pushing or pulling the mounting rods further into or out of the sleeve.
5. Once appropriate width is achieved, tighten side panel attachment bolts.
6. Mount rack struts to seat stays on bicycle frame, adjust extendable legs so that the surface of the rack is parallel to the ground and tighten bolts.
7. Choose the appropriate number of spacers based on frame width.
8. Install spacers between frame eyelets and rack legs as shown in figure C.
9. Double check all bolts and fittings are properly tightened.

**SUNLITE**