

# Heavy Duty Touring Rack

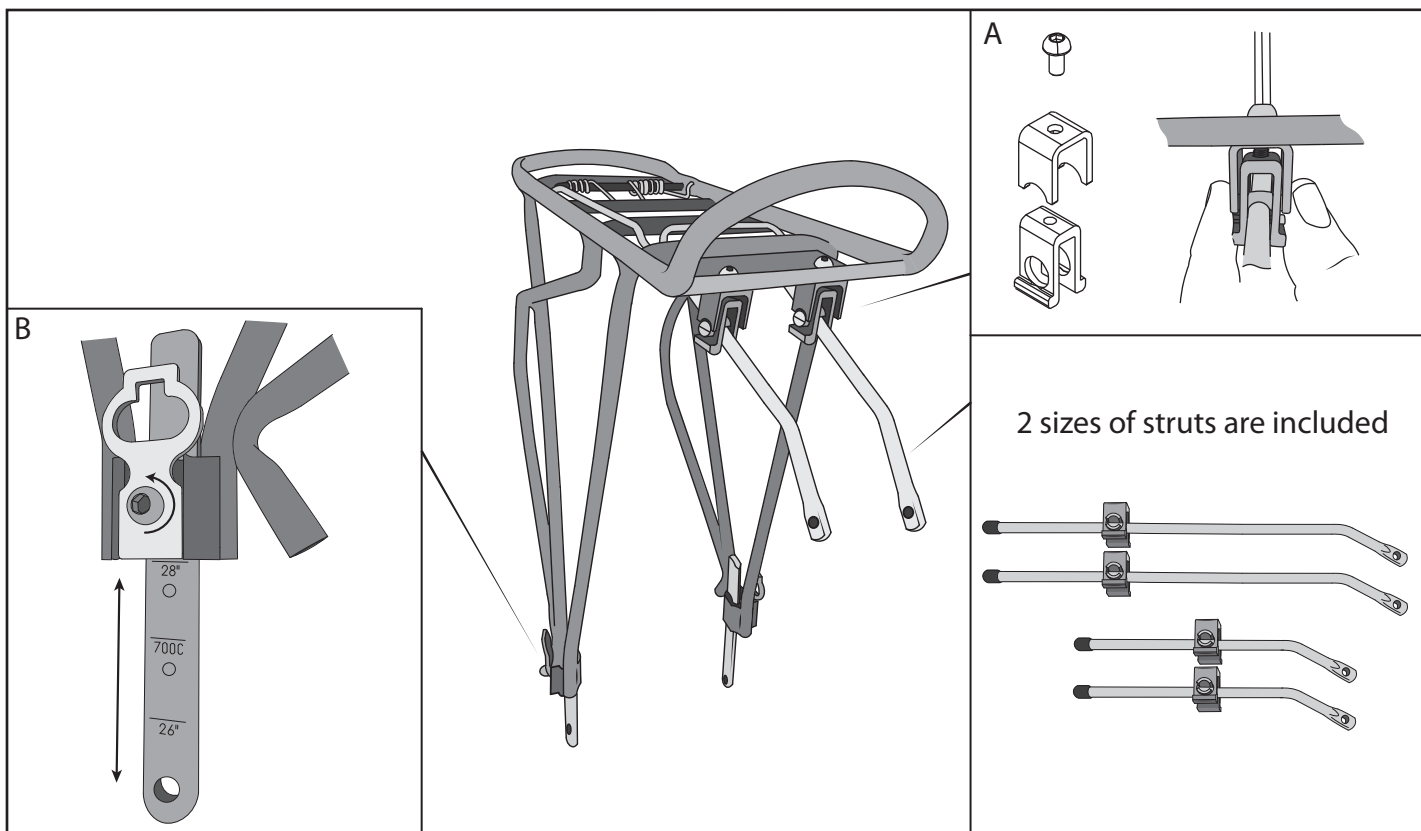
## Instruction Manual

RA004

*Please read all instructions before installing your new rack.*

### Warning

Failure to install cargo racks properly may result in damage to your bicycle, serious injury, and/or death.



## Installation

1. Adjust the extendable legs to the appropriate length based on frame size. Size is indicated by markings on the extendable feet.
2. Select the appropriate sized struts based on frame size and style. Two sizes are included.
3. To install, hold U bracket/strut assembly between thumb and forefinger and attach beneath the elliptical holes at the front of the rack using provided bolts as shown in figure A. Lower bracket and strut are preassembled.
4. Finger tighten until held loosely in place - do not fully tighten.
5. Struts can be adjusted laterally by sliding left or right in the elliptical holes.
6. Adjust struts as necessary to align and attach to bosses on the frame.
7. Mount using supplied hardware.
8. Fully tighten U bracket bolts. Check for proper tire and heel clearance.

**SUNLITE**