

QR-Tec Adjustable Front Rack

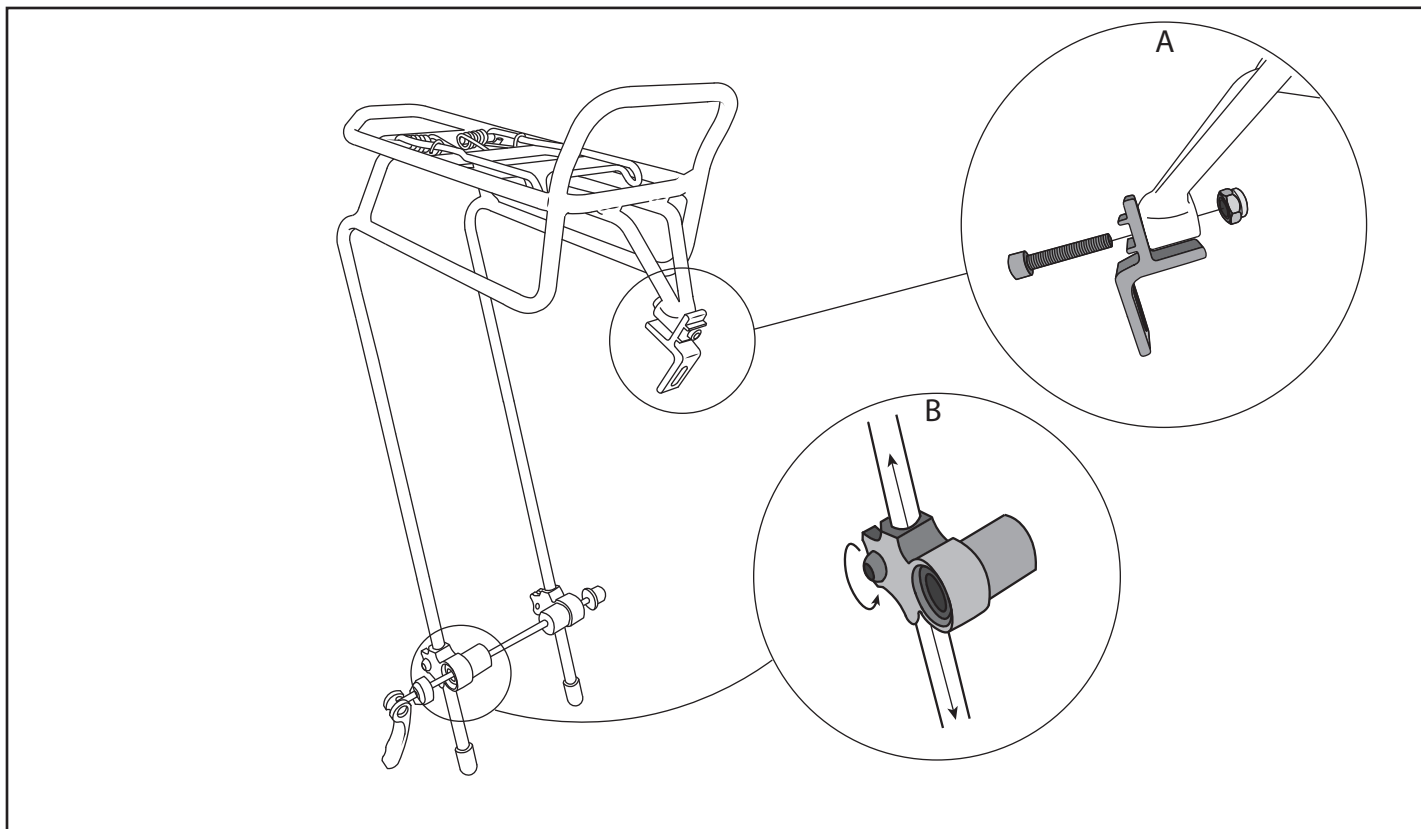
Instruction Manual

RA003

Please read all instructions before installing your new quick release front rack.

Warning

Failure to install cargo racks properly may result in damage to your bicycle, serious injury, and/or death.



Installation

1. Install brake caliper bracket to rack boss as shown in figure A.
2. Remove brake caliper if present and install caliper bracket to the fork via the brake mount hole. Reinstalling the brake caliper over the top of the rack mounting bracket.
3. Adjust the axle guides as needed to align them with the fork's dropouts. To move, loosen the 5mm allen bolt shown in figure B and slide the clamp up or down before retightening the clamps. It is easiest to do both at the same time with the skewer in place to ensure proper alignment.
4. Remove OEM quick release and replace with the provided longer skewer. Always be sure the skewer is closed and in the proper position before riding.
5. After skewer has been reinstalled, double check all connections have been tightened and that brakes function normally.

SUNLITE