

# Rear Spring Rack

## Instruction Manual

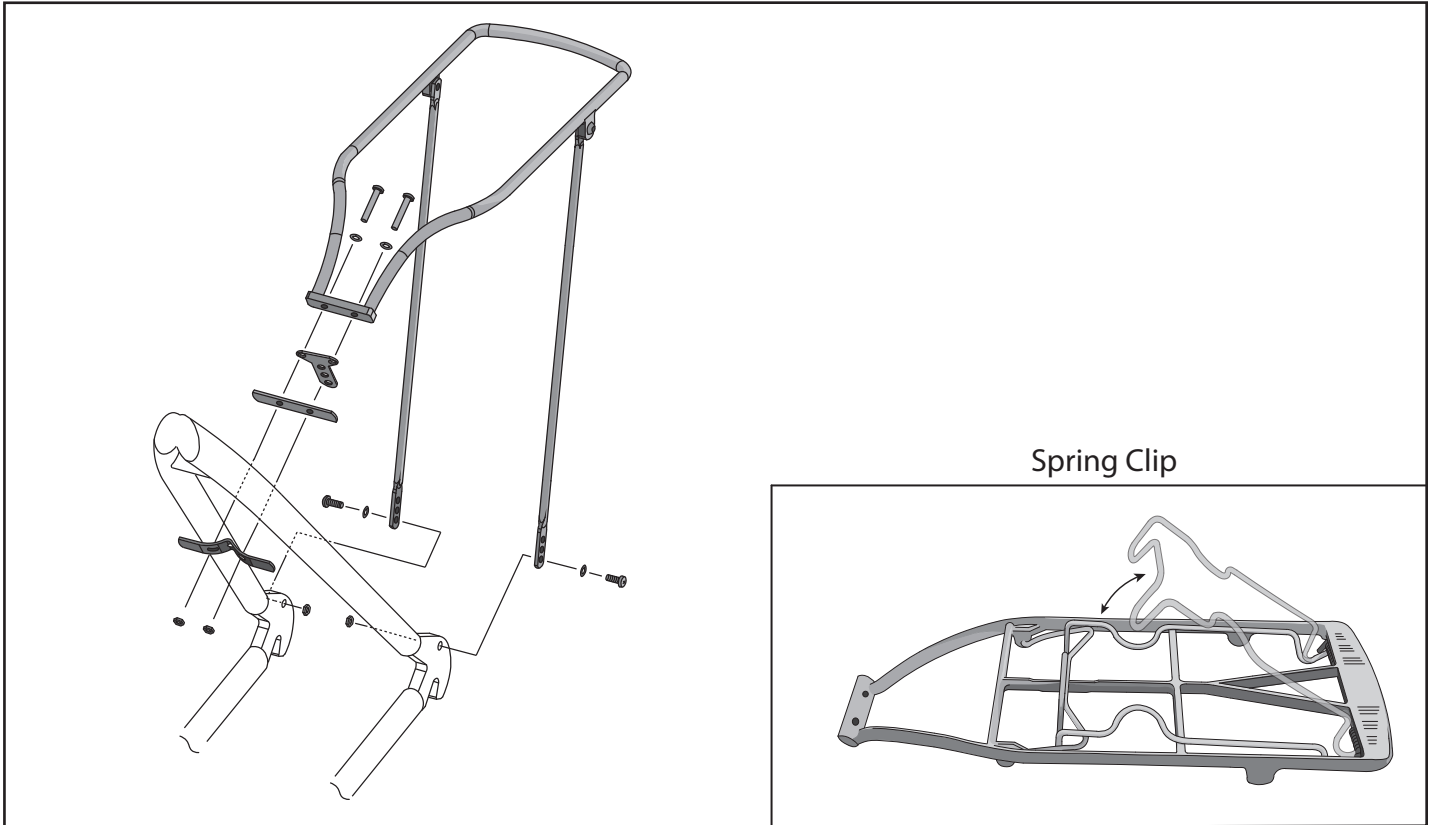
RA001

*Please read all instructions before installing and using your new rack.*

*When using the spring clip to hold cargo, use caution not to pinch fingers or extremities. Spring will return quickly if let go once raised.*

### Warning

Failure to install racks properly may result in serious injury or death and/or damage to your bicycle or cargo.



## Installation/Use

1. Secure rack legs to rear dropout eyelets with supplied hardware as shown, leaving the bolts loose enough to allow rotation.
2. Attach adapter bracket to rear triangle in a position where it will not interfere with operation of the bicycle. Use of the T shaped plate is optional depending on frame style.
3. Check that rack is level and in a safe position and tighten all bolts to frame manufacturer's specification.

Note: After initial installation, adjust height if necessary by removing eyelet bolts and utilizing a different mounting hole

**SUNLITE**