

Hand Pump

Instruction Manual

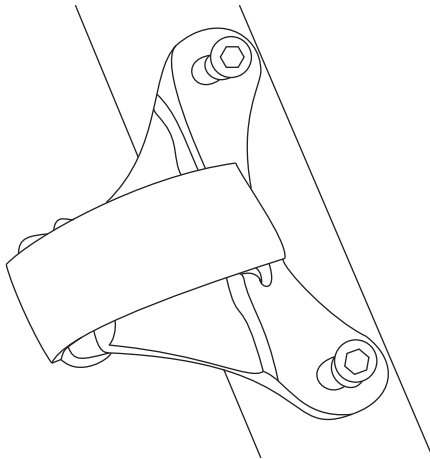
PU001

Please read all instructions before installing and using your hand pump.

Warning

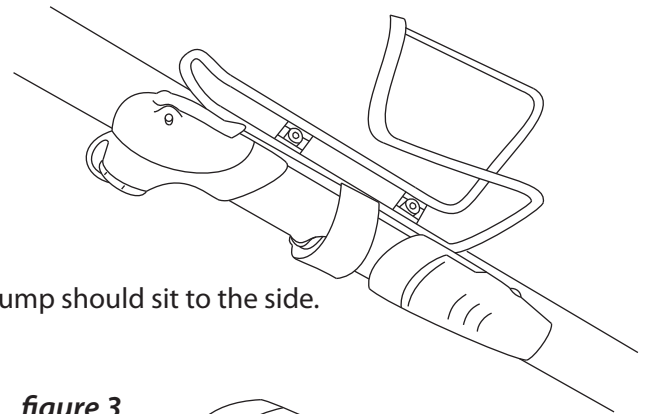
Please refer to the PSI rating for each pump model.
DO NOT OVER TIGHTEN THE MOUNTING BOLTS

figure 1



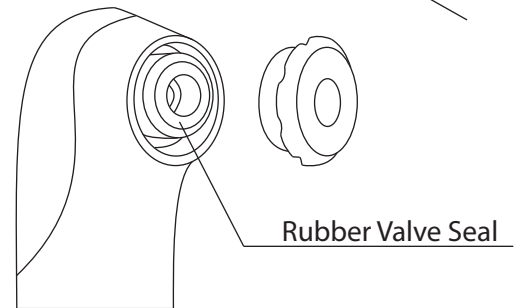
Mount bracket to bottle cage braze-ons.

figure 2



Pump should sit to the side.

figure 3



Rubber Valve Seal

Installation/Use

Mounting the Bracket (*figure 1*)

1. Thread the velcro strap through the bracket before installing it.
2. Place the bracket so that the curvature of the bracket sits flush with the curvature of the frame and the holes in the bracket line up with the holes in the frame for the water bottle cage bolts.
3. Bolt the bracket down using the supplied allen bolts.
4. The pump should sit slightly to the side of the frame as shown in *figure 2*.

Attaching the Pump

1. Snap the pump into the bracket.
2. Wrap the velcro strap around the pump and tighten down.

Using the Pump

1. Attach pump head to valve and flip thumb lock.
2. Start pumping using handle.

*Some models include a thread on valve system - Pull pump head away from pump body and thread onto valve.

*For non dual-head models you can change the pump head from schrader to presta by removing the head cap and reversing the direction of the rubber valve seal that sits in the center shown in *figure 3*.