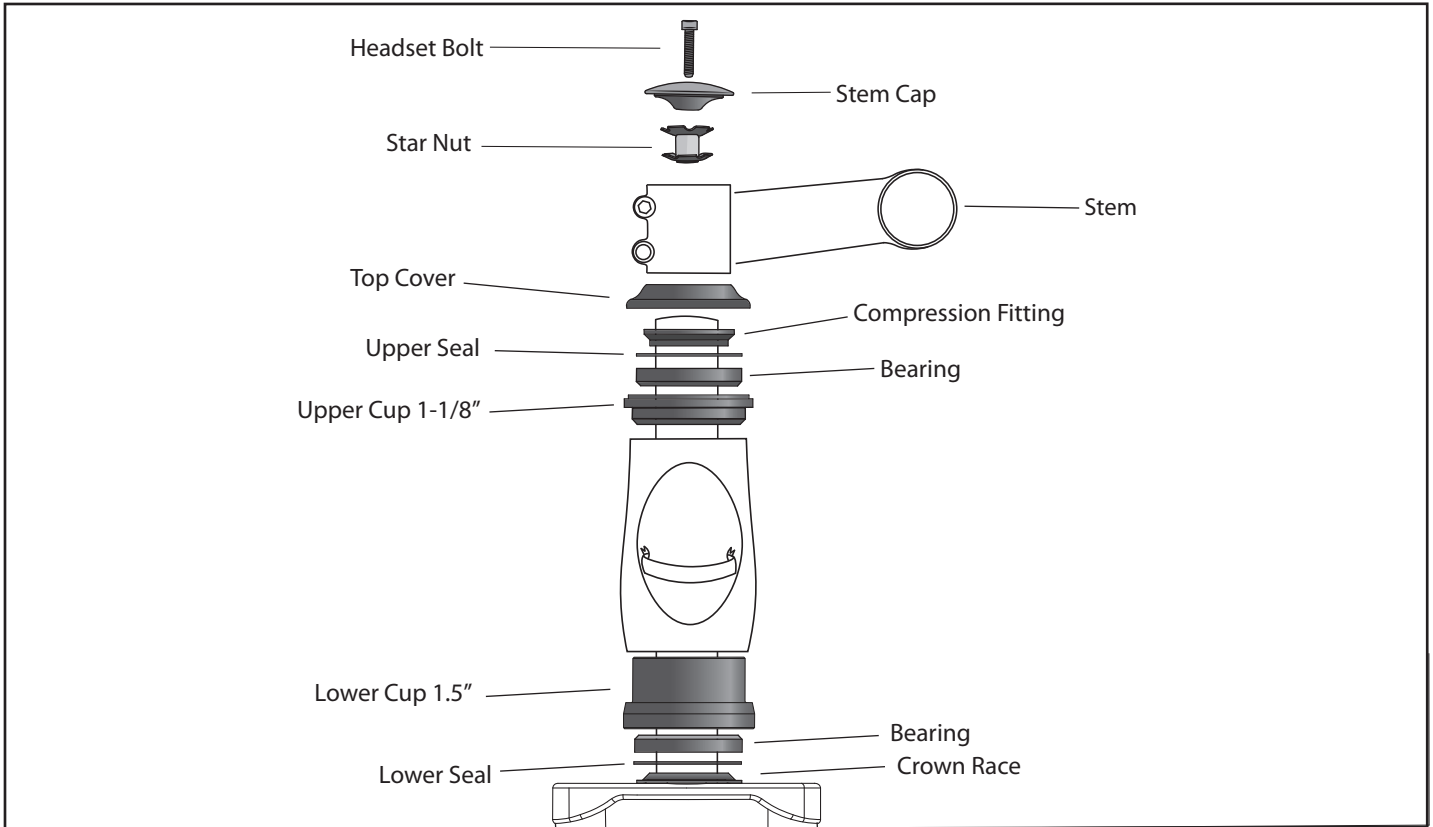


Please read all instructions before installing your new headset.

Warning

Failure to install headsets properly may result in damage to your bicycle, serious injury, and/or death.

Note: Installation requires specialized equipment to press fittings onto the steerer tube and into the head tube.



Note: Some headsets utilize a split crown race and compression fitting - When installing, be sure that the split is NOT aligned to the centerline of the fork.



Installation

1. Install crown race to fork using an appropriate press. Fitment should be flush and evenly seated.
2. Install upper and lower cups to the head tube using a headset press.
3. Using a nut setter, install the star nut into the steerer tube.
4. Place lower seal and bearing onto crown race and place steerer tube through the head tube.
5. Place upper bearing, upper seal, compression fitting and top cover onto steerer tube as shown.
6. Place stem onto steerer tube using appropriate spacers (Not included) to set height.
7. Install stem cap followed by the headset bolt.
8. Check that all fittings are flush with their respective mounting surfaces and that rotation is smooth.