

MODEL HRT-100 SINGLE TRIKE CARRIER**OWNER'S MANUAL SHOULD BE KEPT FOR FUTURE REFERENCE**

1. Completely read and understand Owner's Manual before assembling or operating this product.
2. This product should be assembled by an adult.

**WARNING:**

Tricycle or rack falling in road can cause serious accidents resulting in bodily injury – do not use rack on any vehicle on which it can't be properly mounted as described in this instruction sheet.




- Rack should only be used on vehicles with Class III or IV 2" receiver hitches.
- Never used on a trailer, fifth wheel, or RV, or the front of a vehicle.
- Only carry tricycles with 16" to 29" diameter wheels, and tires up to 5" wide.
- Max. allowable tricycle weight: 125 LB; Max. rack capacity: 125 LB.
- Never carry more than one tricycle. Car tail lights and license plate must remain visible.
- Trikes must be securely tied to rack using wheel and frame tie-downs, add additional straps as needed.
- Check periodically during use that all bolts and knobs are tight and that tricycle is secure.
- Drive conservatively, especially over bumps. Never use off road.
- Never use rack if any parts are damaged or worn. Contact www.jbi.bike for replacement parts.
- Never stand on rack or sit on trike while on the rack












**CAUTION:**

Use HRT-100 only in accordance with local motor vehicle and traffic regulations

- INSTALL RACK AND LOAD TRICYCLE ONLY AT A SAFE DISTANCE AWAY FROM MOVING TRAFFIC.
- MAKE SURE THAT ALL OF RACK AND TRICYCLE IS POSITIONED AT A SAFE DISTANCE FROM ROAD AND HOT EXHAUST.
- ONLY OPERATE VEHICLE WITH RACK IN VERTICAL POSITION 3 (PAGE 7, FIG.16) OR IN THE IN-USE POSITION, (PAGE 7, FIG.18)
- TRICYCLES SHOULD NEVER EXTEND BEYOND THE SIDE MIRRORS OF VEHICLE DURING TRANSPORT.
- REMOVE RACK FROM CAR WHEN NOT IN USE.

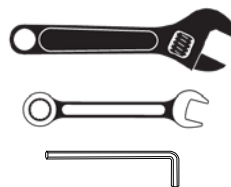
PARTS LIST

	I.D.	Qty	Description
	A	1	Hitch & T-Bar Assembly
	B	1	Hitch Pin Bolt
	C	1	Hitch Pin Split Lock Washer
	D	1	Hitch Pin Flat Washer
	E	1	Hitch Pin Bolt Safety Clip
	F	1	Hitch QR Tilt Pin
	G	1	T-Cross Bar
	H	1	Straight Bar
	I	2	T-Bar Top Plate
	J	16	T-Bar Top Plate Carriage Bolt M8x1.25x25mm
	K	16	T-Bar Top Plate Flat Washer M8
	L	16	T-Bar Top Plate Nylock Nut M8x1.25
	M	2	Wheel Holder
	N	1	Wheel Holder 90d

	I.D.	Qty	Description
	O	3	Wheel Holder Stop Allen Bolt M6x1x10mm
	P	3	Wheel Holder Locking Knob M8x1.25
	Q	3	Wheel Holder Carriage Bolt M8x1.25x25mm
	R	6	Wheel Holder Bushing
	S	3	Wheel Tie Down 420mm
	T	3	Wheel Tie Down 520mm
	U	1	Trike Tie Down 1500mm
	V	1	Small Wheel Adapter 2/pc for one wheel
	W	4	Small Wheel Adapter Carriage Bolt M6x1x-15mm
	X	8	Small Wheel Adapter Flat Washer M6
	Y	4	Small Wheel Adapter Nylock Nut M6x1

ASSEMBLY INSTRUCTION

Tools Required: Adjustable wrench -or-
 (NOT INCLUDED) 15/16" (24mm), 1/2" (13mm), 10mm wrenches
 5mm hex wrench



NOTE: The HRT-100 is easiest to assemble with the Hitch & T-Bar Assembly (A) installed on the vehicle. The instructions below are based on this assembly method.

STEP 1: INSTALL HITCH & T-BAR ASSEMBLY (A) ONTO VEHICLE

NOTE: HRT-100 should only be used with a 2" receiver hitch installed on automobiles. **NEVER** use this rack on a trailer, fifth wheel, or RV, or the front of a vehicle.

Insert Hitch & T-Bar Assembly (A) into 2" receiver, Fig. 1. Line up hole in the Hitch & T-Bar Assembly with the hole on your receiver hitch.

Install Hitch Pin Bolt (B) with Split Lock Washer (C) and Flat Washer (D) into right side of 2" receiver. Tighten the bolt securely using a 5/16", (24mm) or adjustable wrench. There should not be any side to side movement of the rack inside of the hitch when this is done.

Install Safety Clip (E) into the hole in the Hitch Pin Bolt (B), Fig. 2.

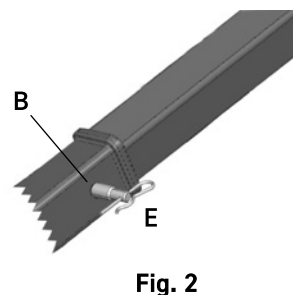
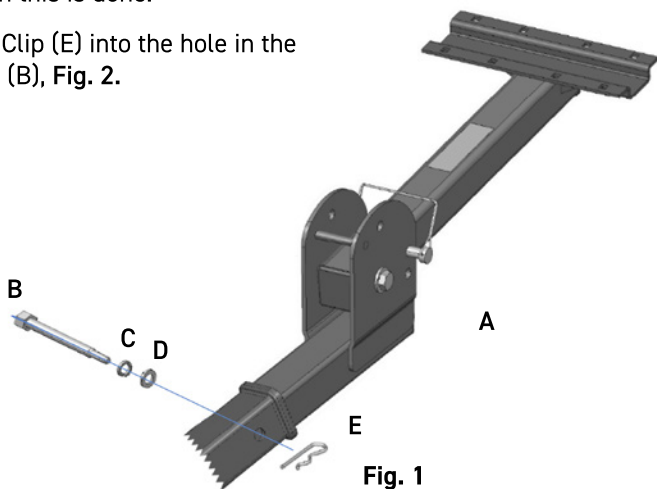


Fig. 1

STEP 2: Loosely install T-Cross Bar (G) along with one of the T-Bar Top Plates (I), 8 each of Carriage Bolt (J), 8 each of Flat Washer (K) and 8 each of Nylock Nut (L) into the T-Bar bottom plate on the Hitch & T-Bar Assembly (A), Fig. 3. Install Wheel Holder Stop Allen Bolt (O) into hole at end of T-Cross Bar (G), Fig. 4.

NOTE: Make sure T-Cross Bar (G) is able to slide for easy setup.

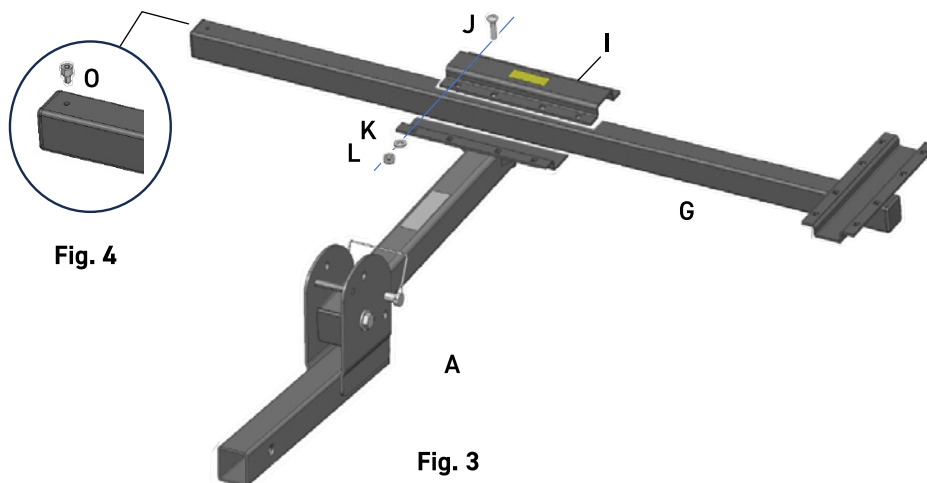


Fig. 4

Fig. 3

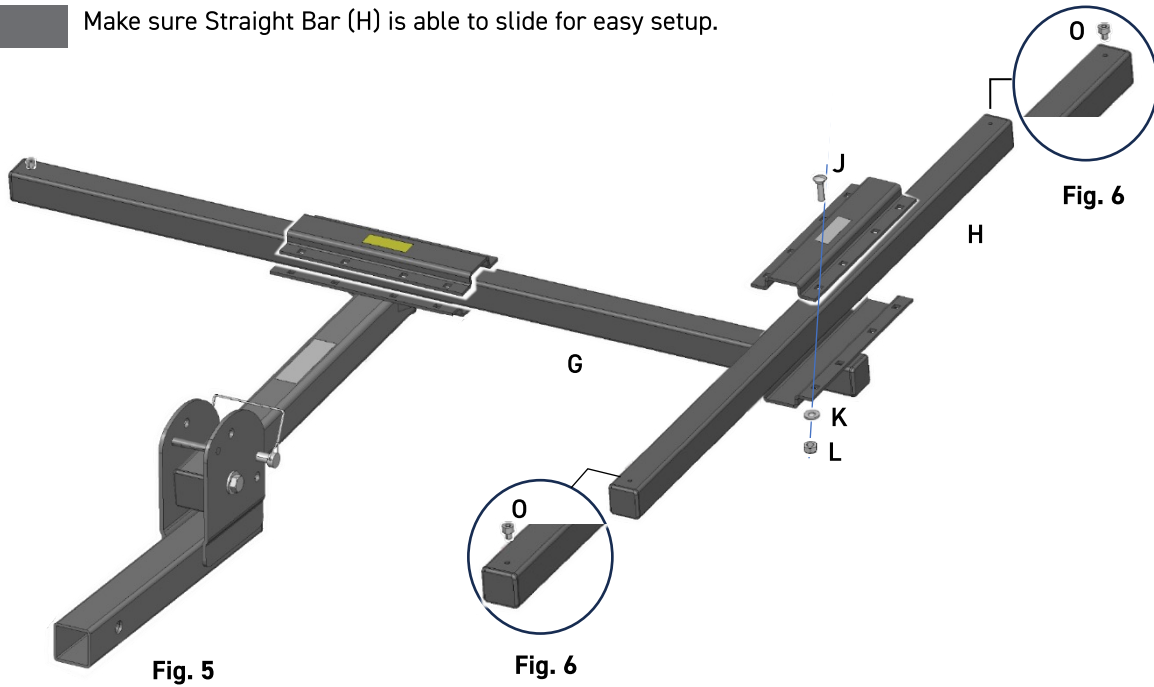
ASSEMBLY INSTRUCTION (CONT.)

STEP 3:

Loosely install Straight Bar (H) with the 2 holes facing up at each end along with 1 of the T-Bar Top Plates (I), 8 each of Carriage Bolt (J), 8 each of Flat Washer (K) and 8 each of Nylock Nut (L) into the T-Bar bottom plate on the T-Cross Bar (G), Fig. 5. Install Wheel Holder Stop Allen Bolts (O) into hole at each end of Straight Bar (H), Fig. 6.

NOTE:

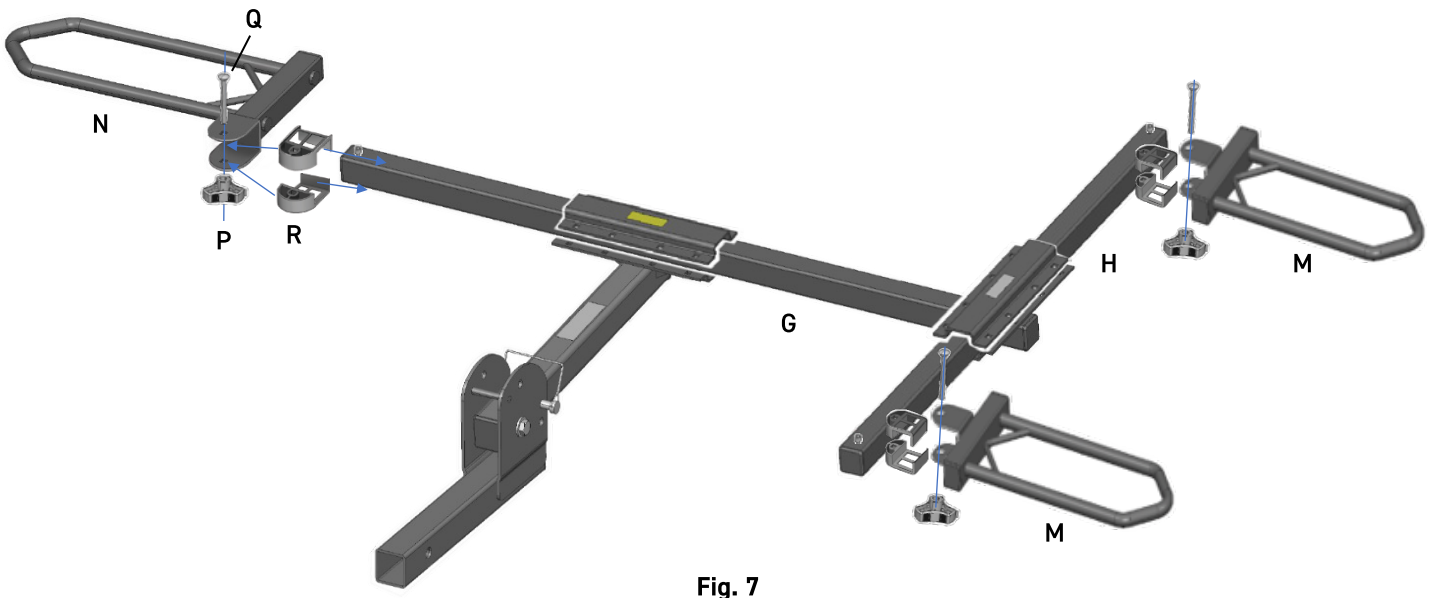
Make sure Straight Bar (H) is able to slide for easy setup.



STEP 4:

Loosely install the Wheel Holders (M) along with the Wheel Holder Bushings (R), Carriage Bolt (Q) and Wheel Holder Locking Knob (P) onto the ends of the Straight Bar (H), Fig. 7.

Repeat Step 4 using 90d Wheel Holder (N) along with the Wheel Holder Bushings (R), Carriage Bolt (Q) and Wheel Holder Locking Knob (P) onto the end of the T-Cross Bar (G), Fig. 7.



ASSEMBLY INSTRUCTION (CONT.)

STEP 5: ADJUST RACK TO FIT YOUR TRIKE

- A) Adjust the Wheel Holders (M) to match the track width wheel centers (TWC) then tighten the Locking Knobs (P) securely. **Fig. 8 & 9**
- B) Adjust the Straight Bar (H) to be centered with the 90d Wheel Holder (N). **Fig. 9**
- C) Adjust the 90d Wheel Holder (N) to match the wheelbase (WB) of the trike then tighten the Locking Knob (P) securely. **Fig. 9**
- D) Find the trike center (TC) from front to back, **Fig. 11** if it's a tadpole include the crank in that measurement. **Fig. 10**. Put a piece of tape on your trike to represent that center point.
- E) Put your trike onto the rack and make any final adjustments as necessary. Next slide the T-Cross Bar (G) until the trike is centered with the Hitch & T-Bar Assembly (A). **Fig. 9**
- F) Tighten all 16 Nylock Nuts (L) **Fig. 9**. Double check that all hardware is tightened securely.

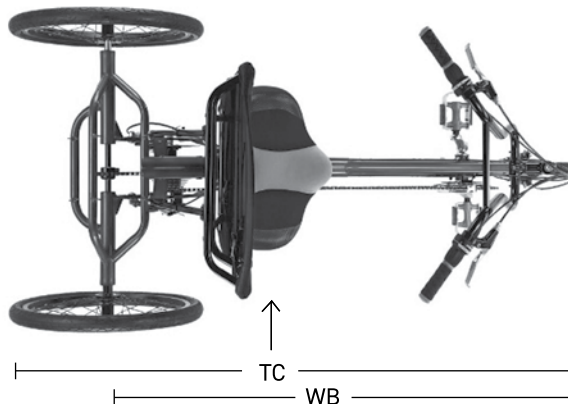
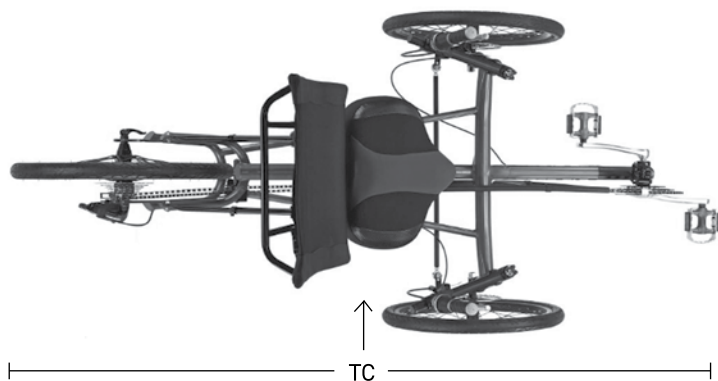
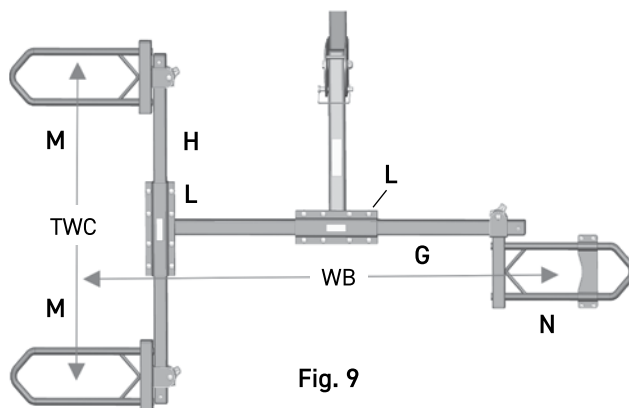
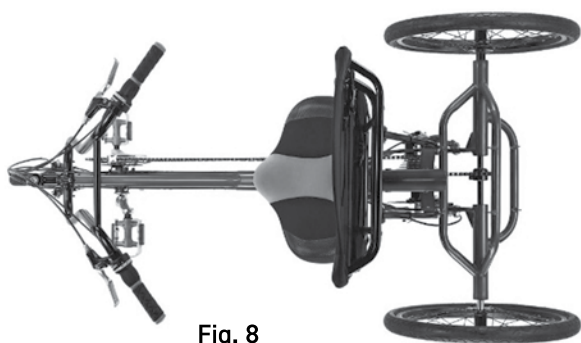


Fig. 10

Fig. 11

ASSEMBLY INSTRUCTION (CONT.)

STEP 6:

Choose the appropriate Wheel Tie Down (S or T) straps. Thread straps onto wheel holders as shown in Fig. 12. Install straps as shown in Fig. 13.

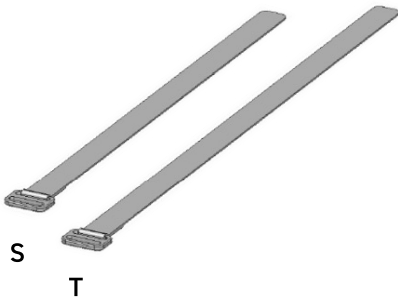


Fig. 12

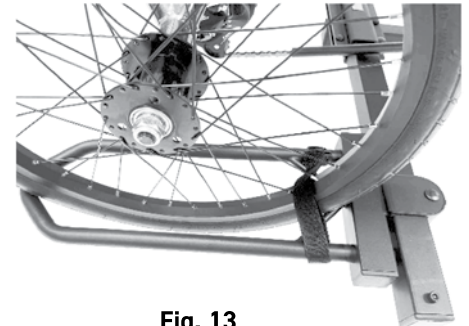


Fig. 13

STEP 7:

Using the Trike Tie Down (U) strap. Install onto Trike frame and rack as shown in Fig. 14.

NOTE:

Different trikes will require different tie down locations.

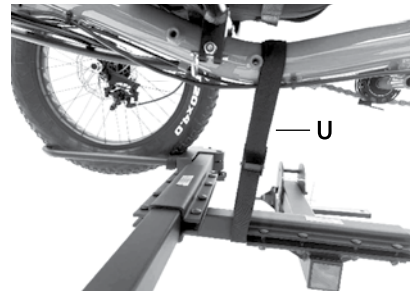
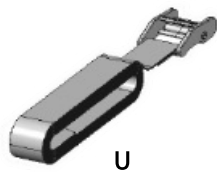


Fig. 14

NOTE:

One Small Wheel Adapter (V) is provided for 16" front wheels. See Fig. 15 for its use. Additional Small Wheel Adapters are available from your dealer.

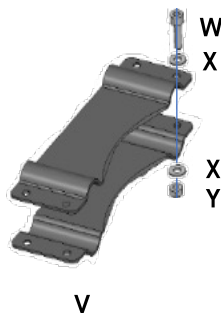


Fig. 15

ASSEMBLY INSTRUCTION (CONT.)

FOLDING RACK AGAINST VEHICLE WHEN NOT IN USE

NOTE: ONLY ATTEMPT WHEN RACK HAS NO TRIKE ON IT.

STEP 1: Carefully hold rack while removing Hitch QR tilt pin (F).

STEP 2: Tilt rack up to vertical position 3

STEP 3: Line up holes and reinstall Hitch QR tilt pin (F)

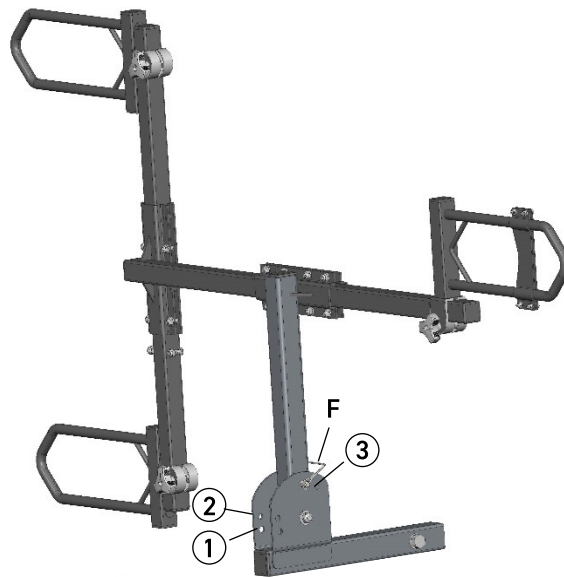


Fig. 16

FOLDING RACK DOWN TO GET ACCESS TO TAILGATE OR TRUNK

NOTE: BE CAREFUL AND SEEK HELP BECAUSE RACK WITH TRIKE INSTALLED WILL BE VERY HEAVY

STEP 1: Carefully hold rack with an assistant while removing Hitch QR Tilt Pin (F).

STEP 2: Tilt rack to down position 1

STEP 3: Line up holes and reinstall Hitch QR tilt pin (F)

⚠ WARNING: DO NOT OPERATE VEHICLE WHEN RACK IS TILTED DOWN AS SHOWN IN FIG.17.

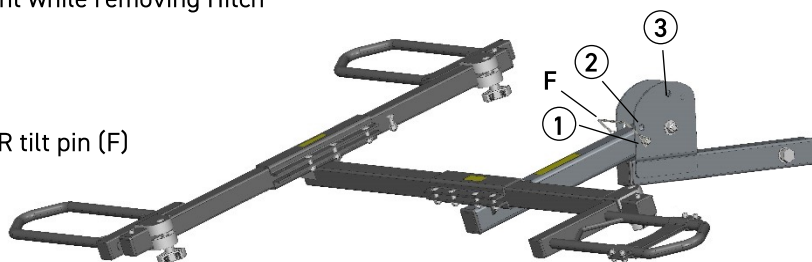


Fig. 17

FOLDING RACK TO IN-USE POSITION

STEP 1: Carefully hold rack while removing Hitch QR Tilt Pin (F).

STEP 2: Tilt rack to in-use position 2

STEP 3: Line up holes and reinstall Hitch QR tilt pin (F)

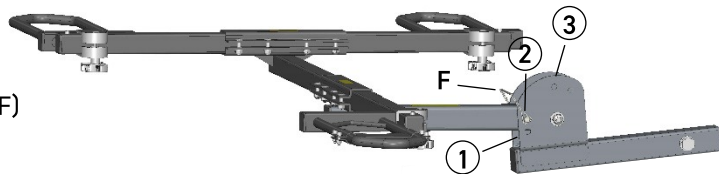


Fig. 18

SUNLITE LIFETIME WARRANTY:

IF A SUNLITE TRIKE RACK IS FOUND TO HAVE A DEFECT IN WORKMANSHIP OR MATERIAL OVER THE LIFETIME OF THE ORIGINAL PURCHASE, SUNLITE WILL REPAIR OR REPLACE THE RACK FREE OF CHARGE. THE WARRANTY DOES NOT COVER DAMAGE OR WEAR WHICH OCCURS AS A RESULT OF DAY TO DAY USE OR GENERAL WEAR AND TEAR.

