

# Folding Pedal

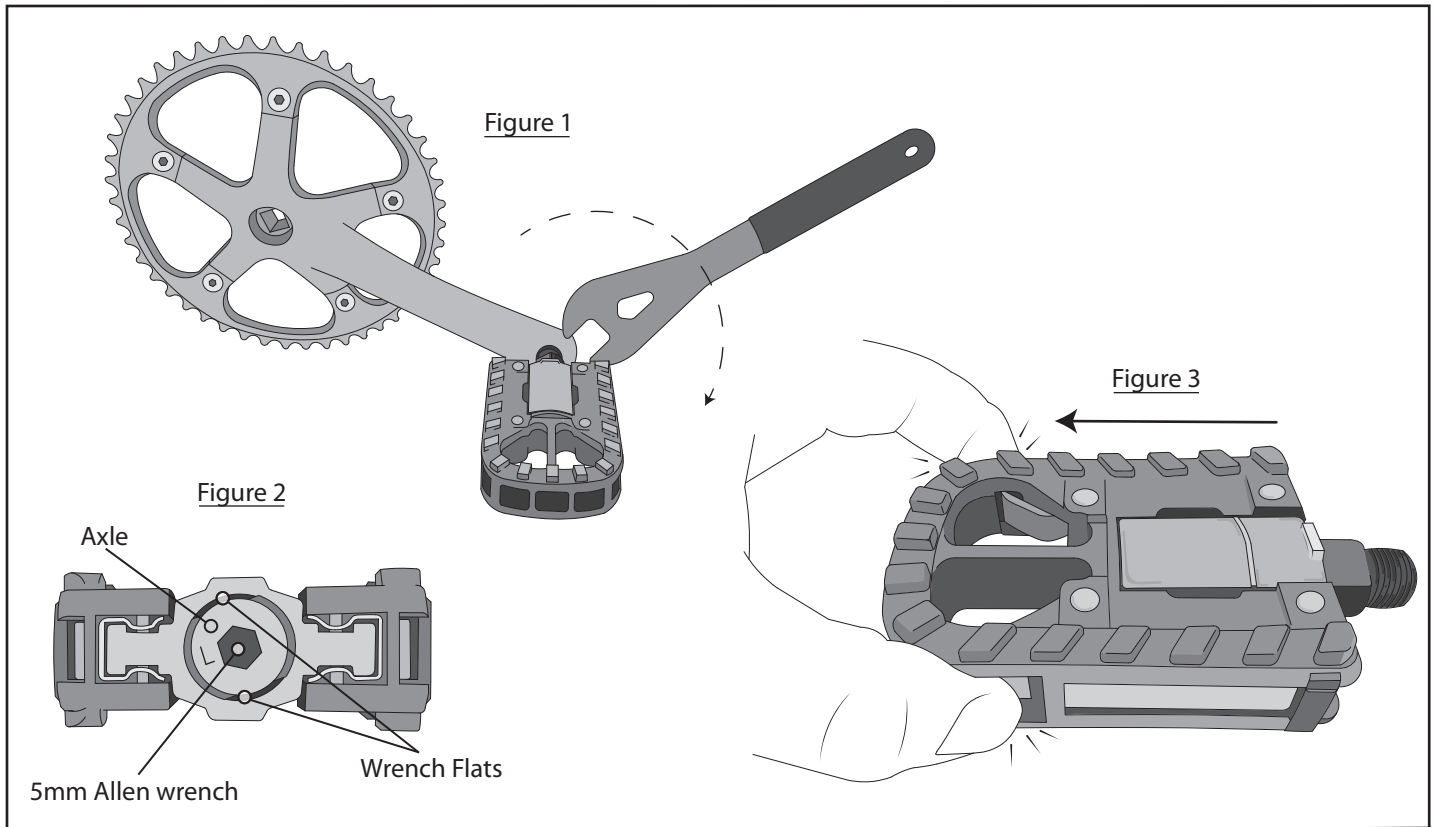
## Instruction Manual

FP001

*Please read all instructions before installing your new folding pedals.*

### Warning

Failure to install pedals properly may result in damage to your bicycle, serious injury, and/or death.



\*\*\*Please Note:\*\*\*

Pedals are marked with "L" or "R" on the axles which designates left and right. Attempting to thread the wrong side may cause damage to pedal and/or crankarm threads. All pedals will tighten by turning toward the front of the bicycle.

## Installation

1. Remove old pedals if necessary.
2. Grease pedal threads using an applicable anti-seize grease.
2. Install pedals to crank using either a 15mm pedal wrench, or 5mm allen wrench. **Figure 1+2**
3. To tighten turn axle toward the front of the bicycle. To remove, turn toward the rear of the bicycle.
4. Torque to a minimum of 300 In/lbs or 33 Nm.
5. Once installed, push the two silver buttons located on either side of the pedal and pull away from bicycle to fold. **Figure 3**
6. To unfold, simply straighten the pedal body in line with the axle and push until the platform clicks into place.

**SUNLITE**