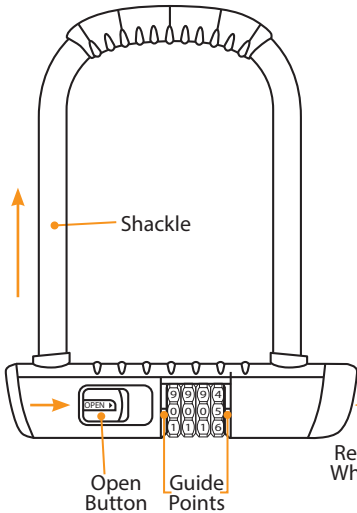


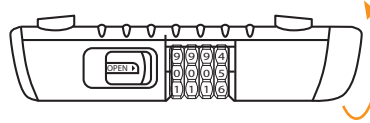
TO SET YOUR OWN COMBINATION

YOUR NEW LOCK IS PRESET TO OPEN WITH 0-0-0-5



STEP 1

Open the lock by aligning the number 0005 between the guide points, push the open button and pull out the shackle.

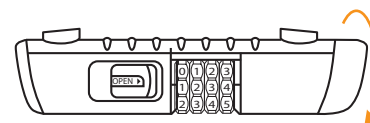


STEP 2

Turn the reset wheel clockwise until it comes to a stop.

STEP 3

Select your new combination by rotating the dials. For Example: 1234 Be sure to write down the combination and keep it in a safe place.



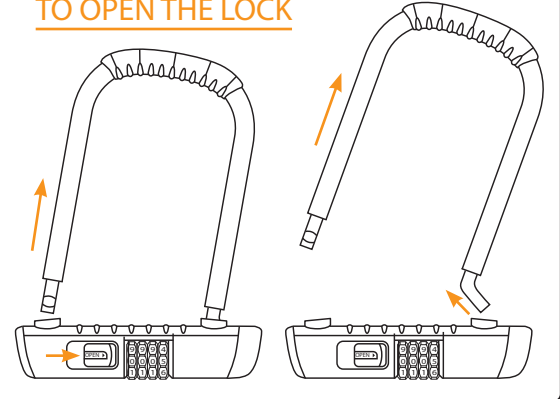
STEP 4

Turn the reset wheel counter-clockwise until it comes to a complete stop back at its original position.

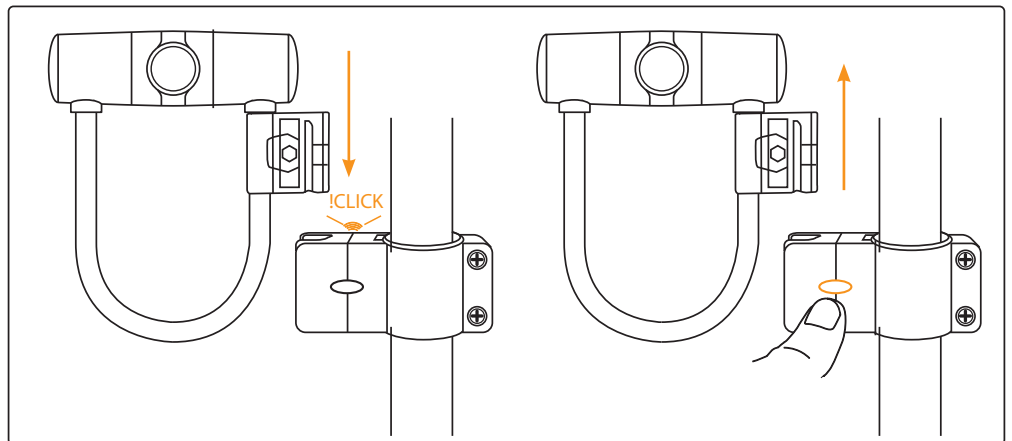
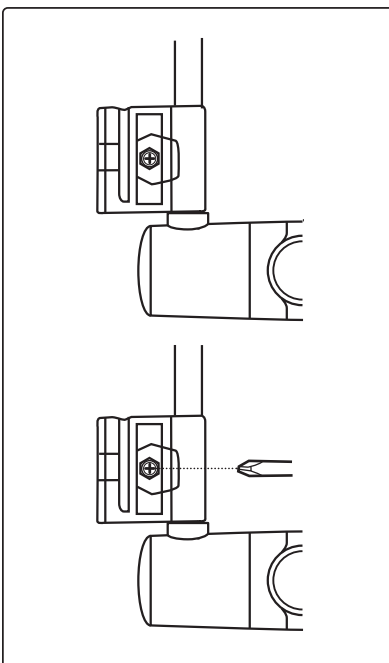
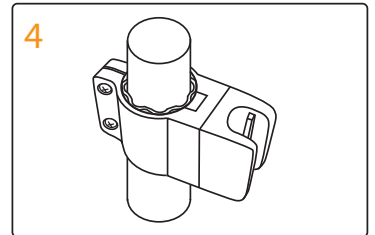
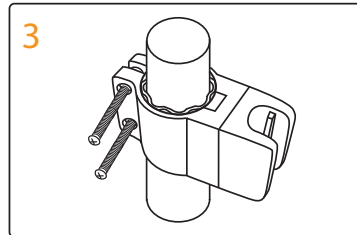
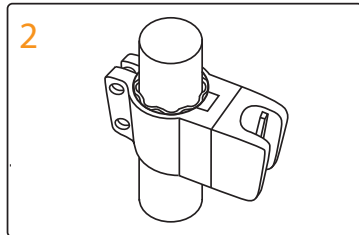
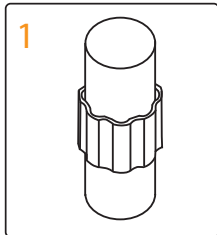
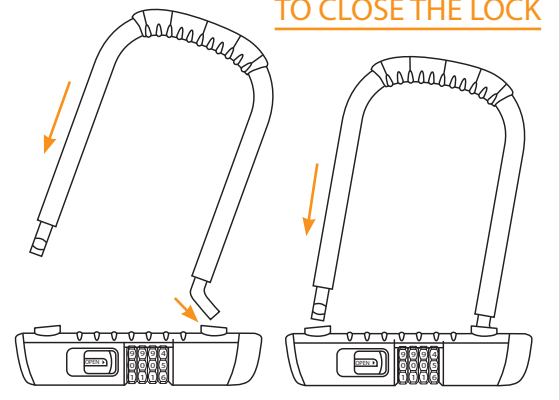
STEP 5

Reinsert the shackle into the lock. The lock is now ready for normal use with your personal combination.

TO OPEN THE LOCK



TO CLOSE THE LOCK



Before riding, please check correct mounting and function of the product!
 Avant chaque sortie vérifier si le montage est correct et si le produit fonctionne!
 Bitte prüfen Sie vor jeder Fahrt die korrekte Montage und die Funktion des Produktes!
 Antes de cada salida verifi car si el montaje es correcto y si el producto funciona!
 Prima di iniziare un viaggio controllare sempre la correttezza di montaggio e di funzionamento del prodotto!
 Antes de cada saída, verifi car se a montagem está correcta e se o produto funciona!
 Test u voor de rit de juiste montage!