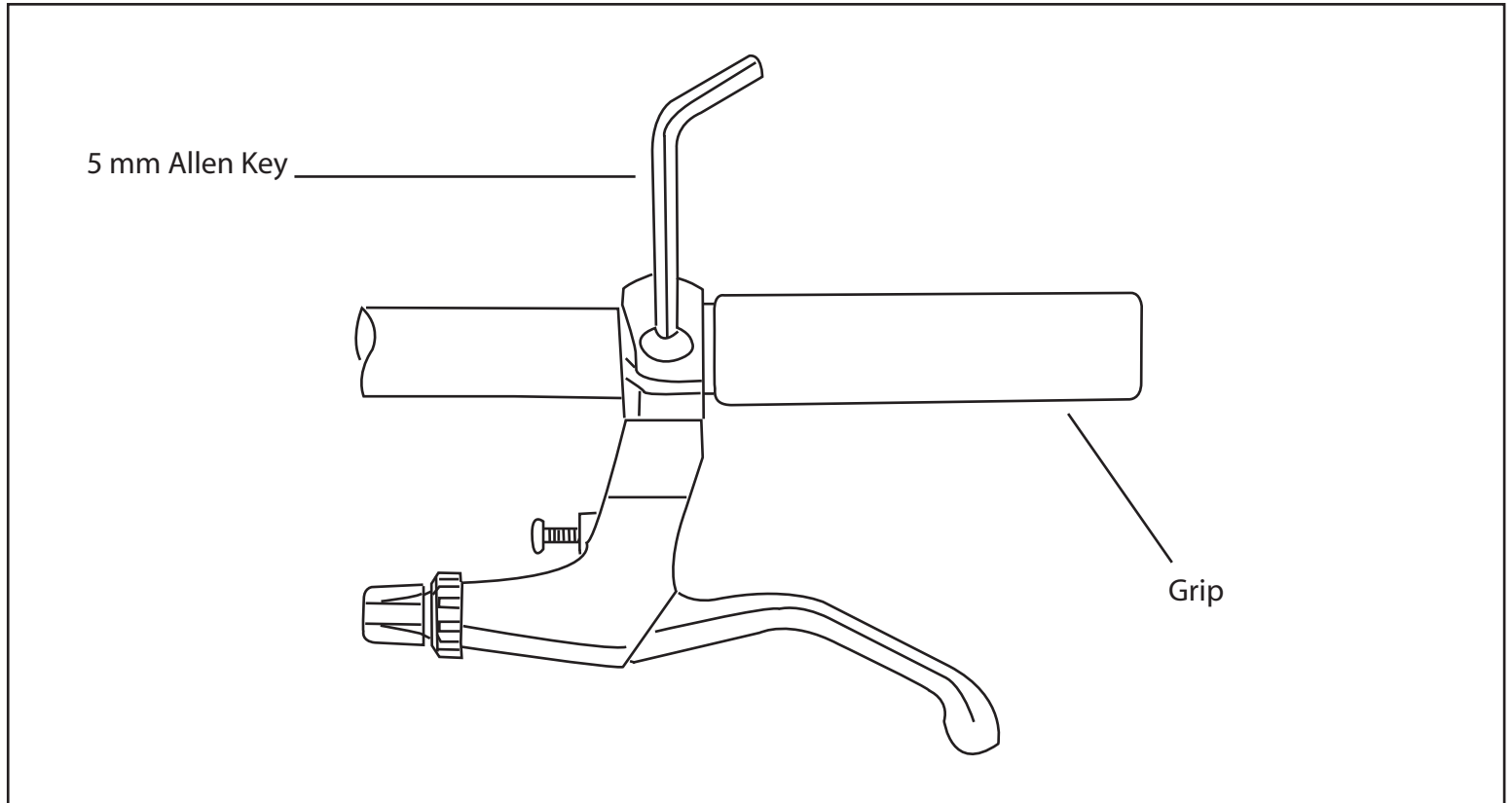


Please read all instructions before installing and using your brake lever.

Be sure to install your brake levers in a position that will be comfortable for your hands to operate them.

Warning

Failure to install brake levers properly may result in serious injury/death and or damage to your bicycle.



Installation/Use

1. Remove the grips from handlebar.
2. Using a 5mm allen key, loosen the bolt in the brake lever clamp.
3. Slide brake lever in place on handlebar.
4. Tighten the brake lever clamp between 5 - 7 Nm.

Always check the manufacturer's handlebar specs before installing on carbon handlebars.