

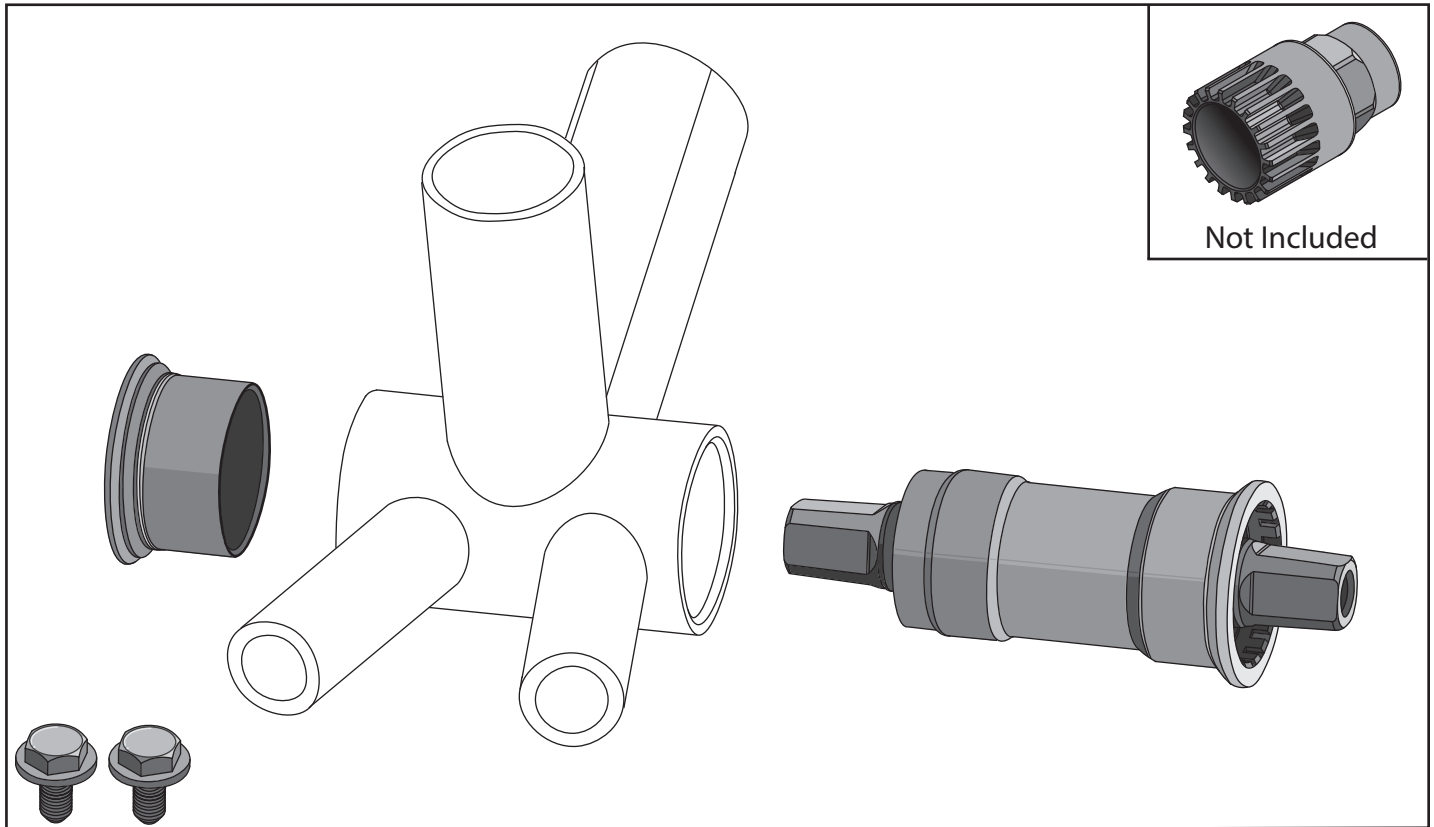
Repair Bottom Bracket

Instruction Manual

BB005

Warning

Failure to install bottom brackets properly may result in serious injury/death and or damage to your bicycle.



Installation

1. Separate the threaded sleeve from the bottom bracket body.
2. Insert non drive side of bottom bracket into and through the bottom bracket shell.
3. Thread non drive sleeve onto non drive side of bottom bracket until tight.
4. Using a torque wrench and appropriate BB tool (Not Included) tighten non drive sleeve to 35-45Nm or manufacturers' specification.
5. Install crank and secure with included bolts.

SUNLITE